

SiS 741/741GX

Integrated Real256E Chipset for AMD K7

Technical Marketing Dept.
Integrated Product Division
Silicon Integrated systems Corp.

Jan. 2004



- ❑ **SiS AMD DDR Chipset Position**
- ❑ **SiS741 System Architecture**
- ❑ **Performance Comparison**

SiS AMD K7 DDR Chipset Position



- Mass Production -

Mainstream

748, Athlon XP 400
DDR400, AGP8X, HSE

746FX, Athlon XP 333
DDR400, AGP8X, HSE

746, Athlon XP 266
DDR333, AGP8X, HSE

NEW

741GX, Athlon XP 333
AGP8X, DDR333, HSE
Real256E Graphics

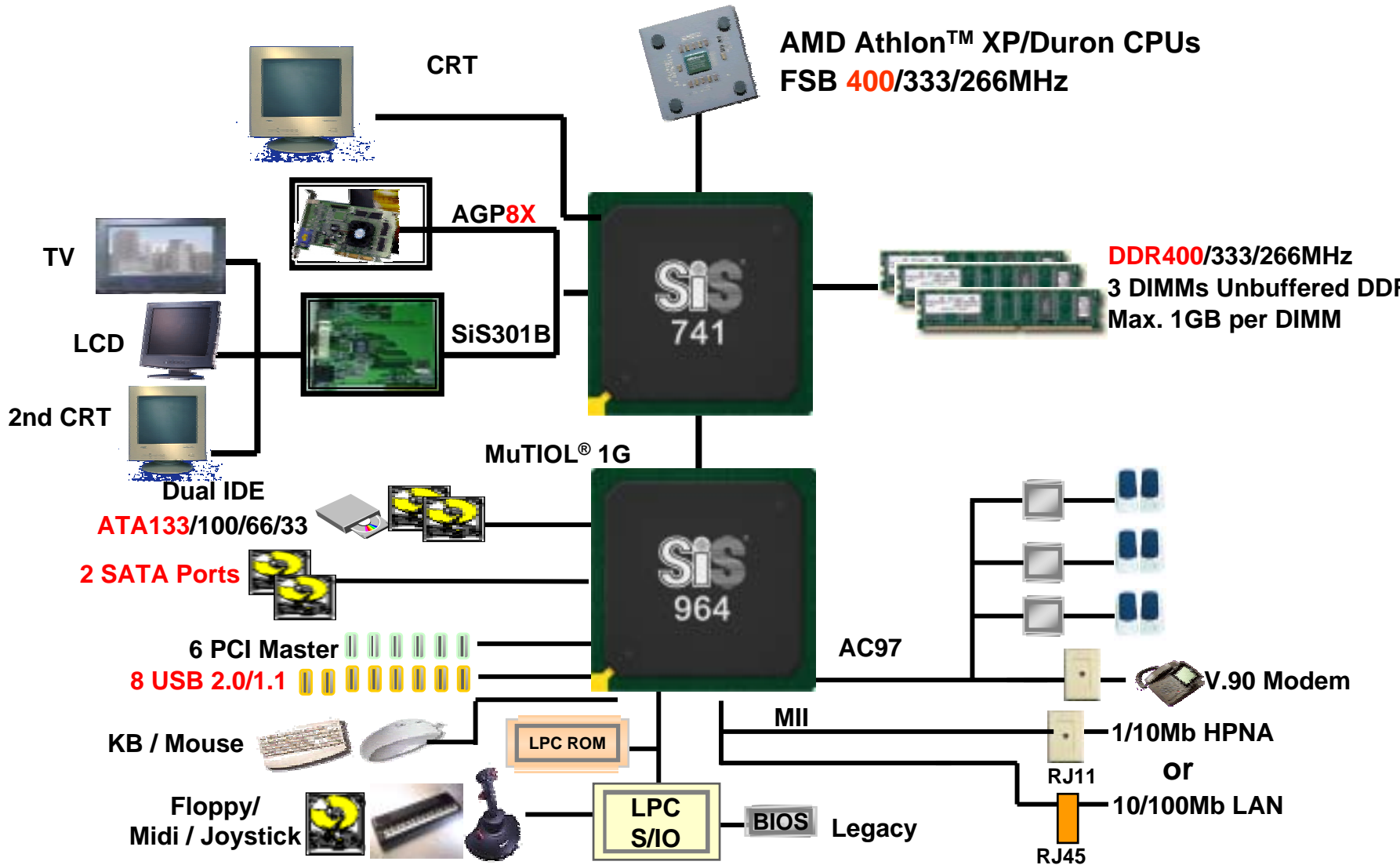
NEW

741, Athlon XP 400
AGP8X, DDR400, HSE
Real256E Graphics

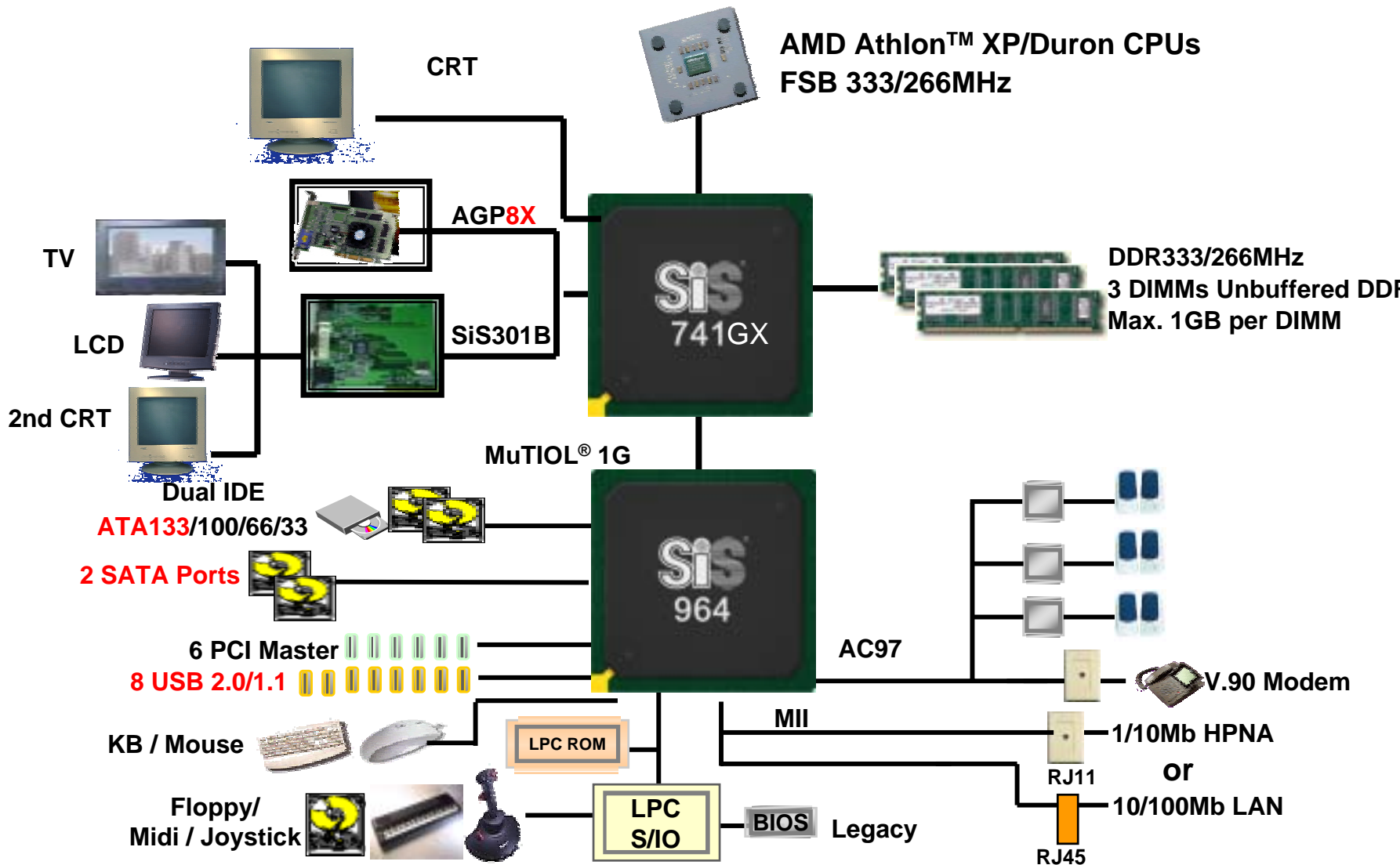
Value

740, Athlon XP 266
SDR/DDR266
Real256 Graphics

SiS741/964 System Architecture



SiS741GX/964 System Architecture



Performance Comparison

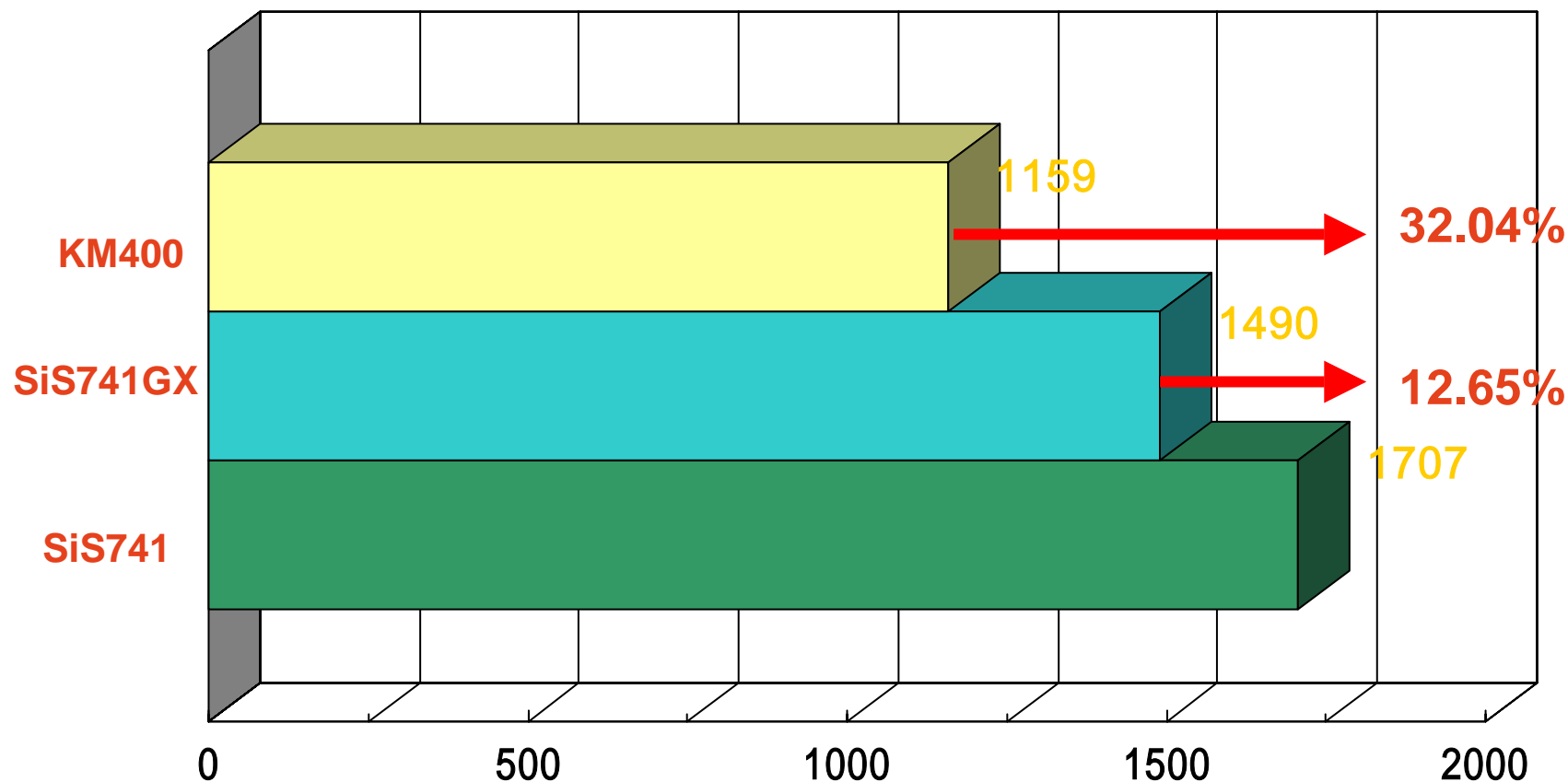
--SiS741 vs. SiS741GX vs. V-corp. KM400

System Configuration

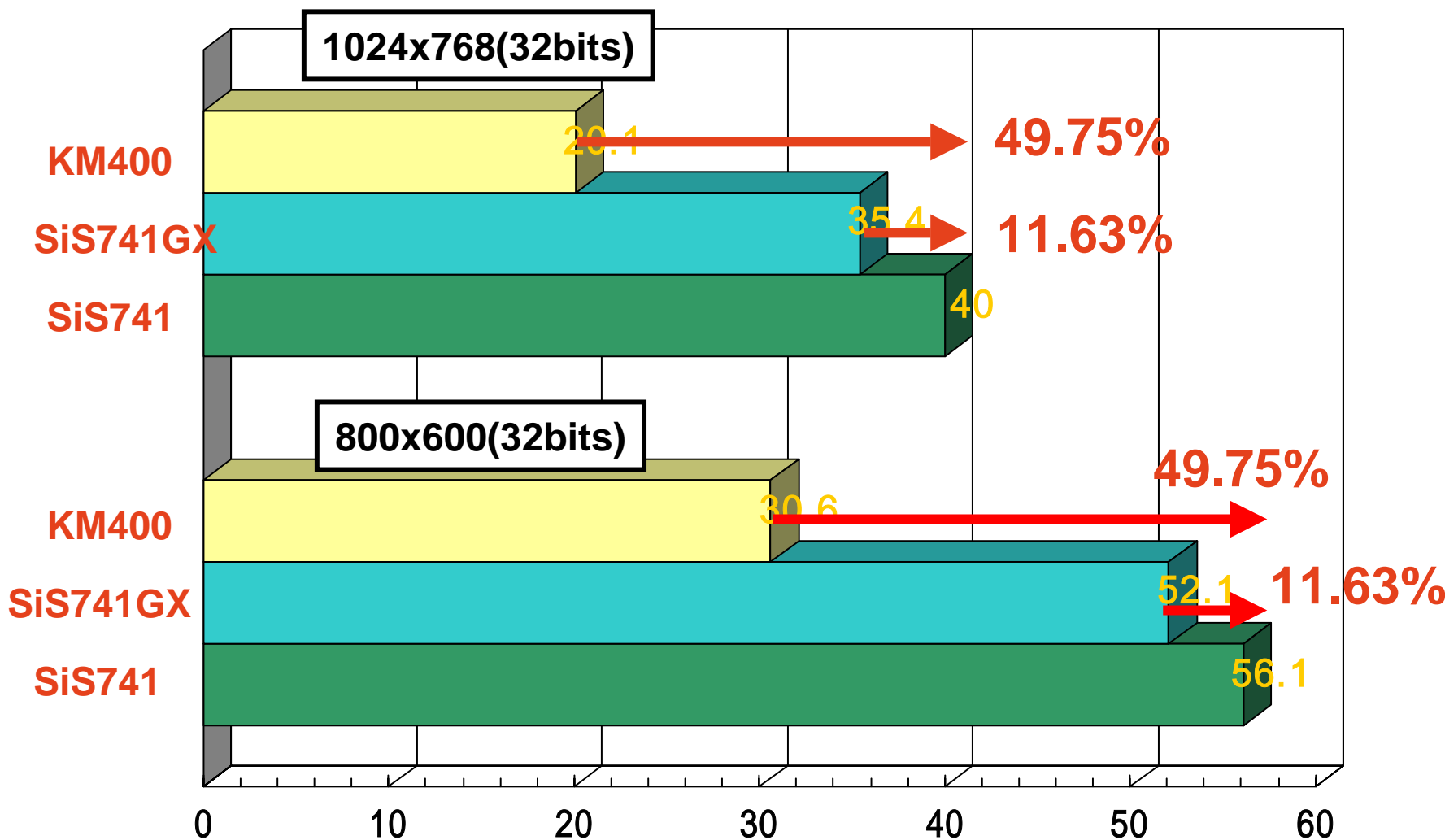


Environment			
CPU Type	AMD K7-AthlonXP 3200+		
DRAM (single)	Samsung DDR400 512MB Double Side x1		
HardDisk	Maxtor 40G 7200 ATA133		
VGA	Internal VGA (1024x768x32 @75NI)		
Operating System	Windows XP Professional SP1		
Chipset	V-corp KM400	SiS741GX	SiS741
DDR Clock Setting	166	166	200
FSB Clock Setting	166	166	200
Driver Configuration			
VGA Driver	ViA 169433	SiS 3.54logo	
AGP Driver	Hyperion 4 in 1 v4.49	1.17logo	
IDE Driver		2.04	

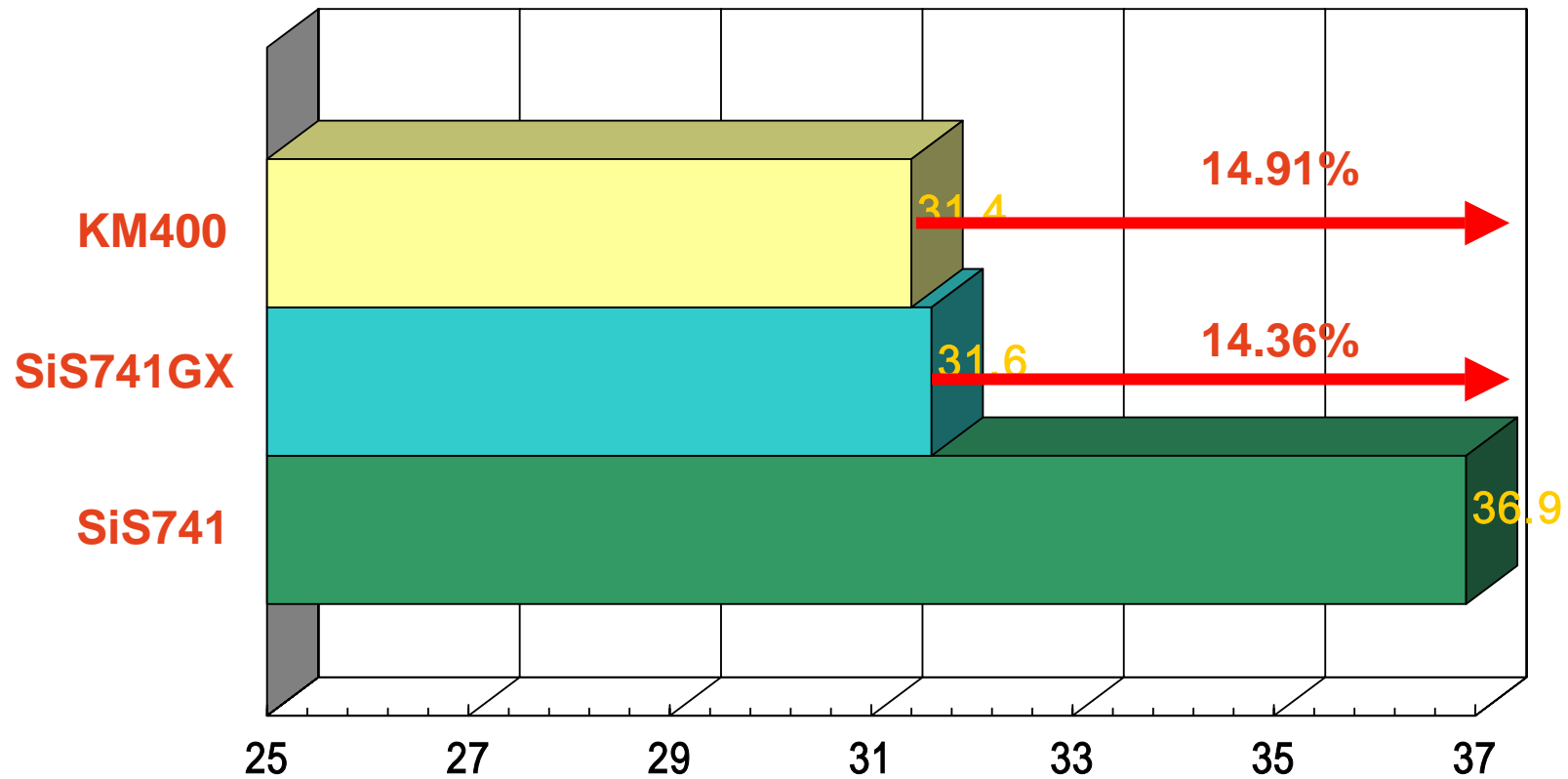
3DMark2001SE



Graphics Performance --*Quake 3*



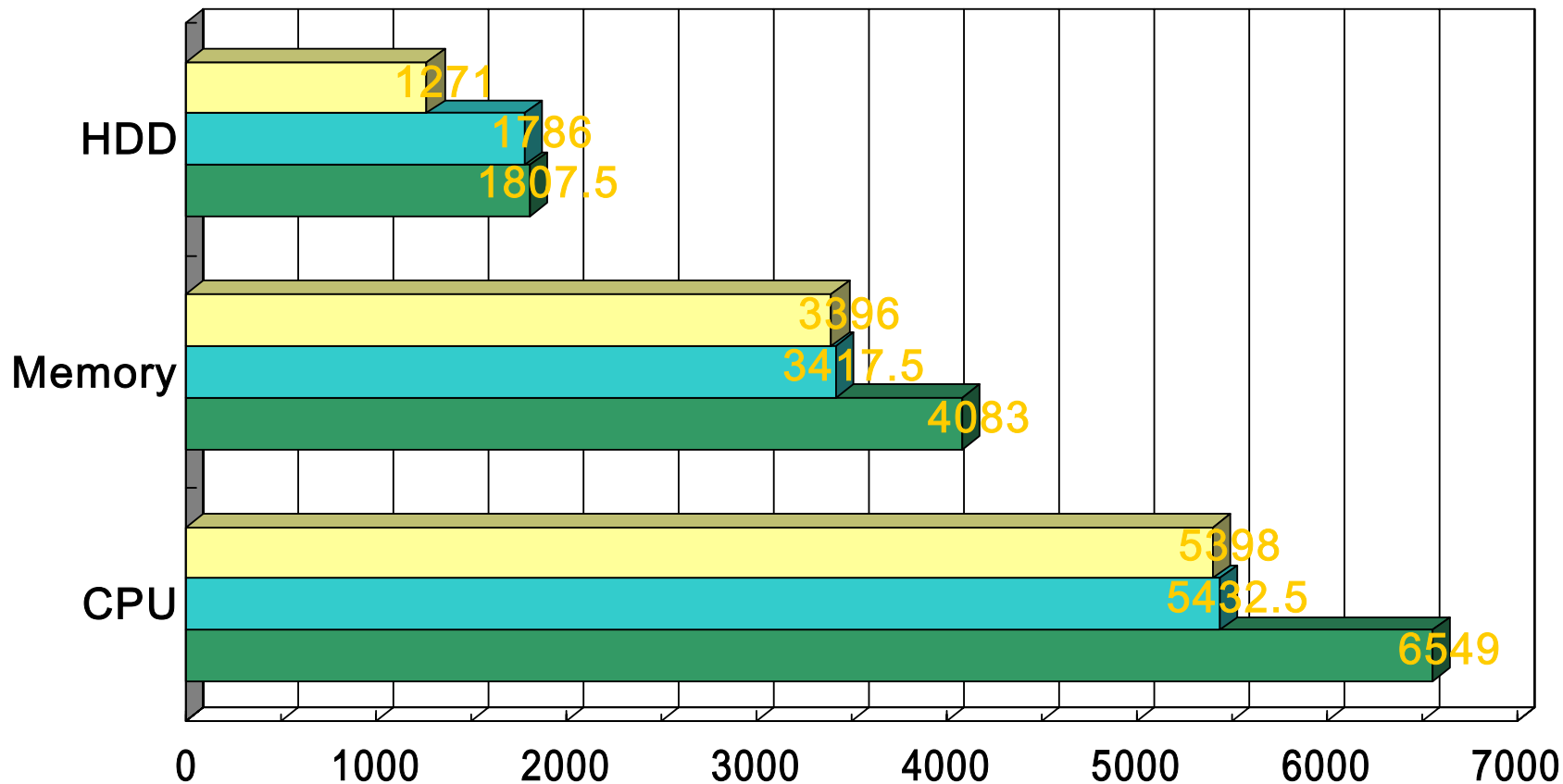
C.C. Winstone 2003



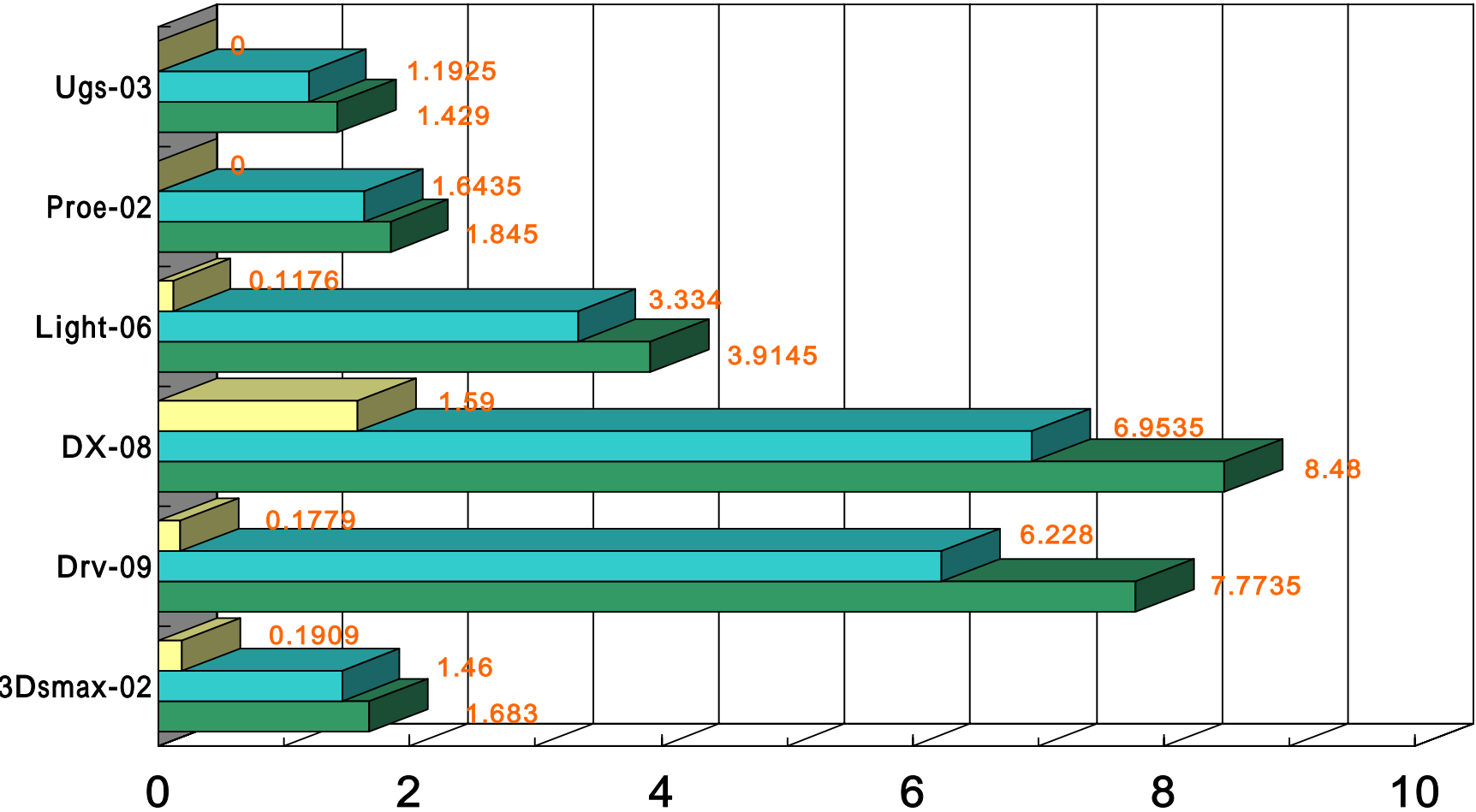
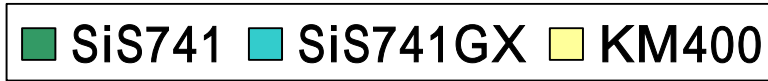
System Performance -- *PC Mark 2002*



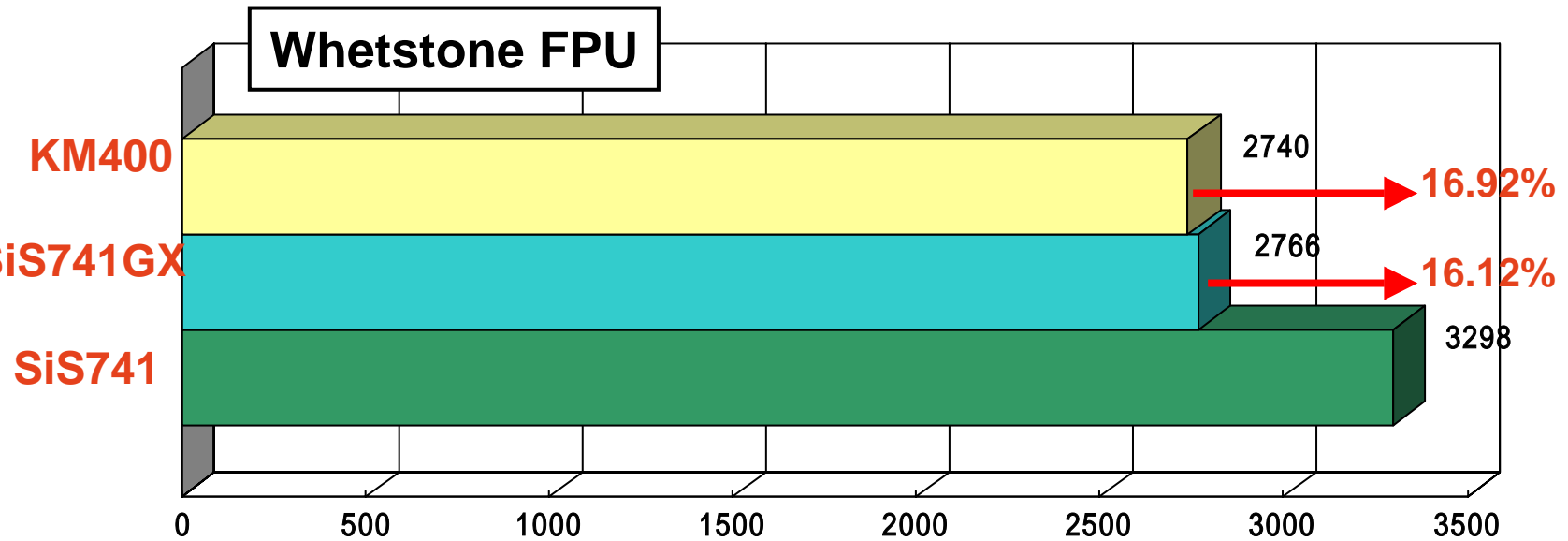
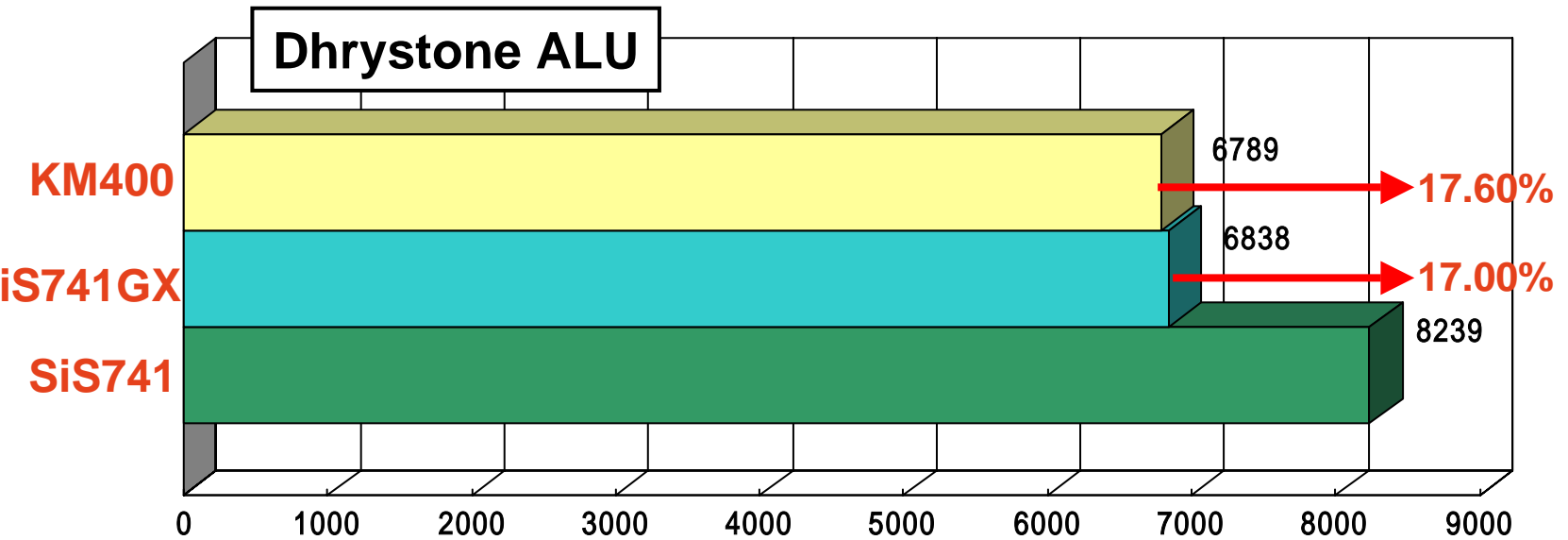
■ SiS741 ■ SiS741GX ■ KM400

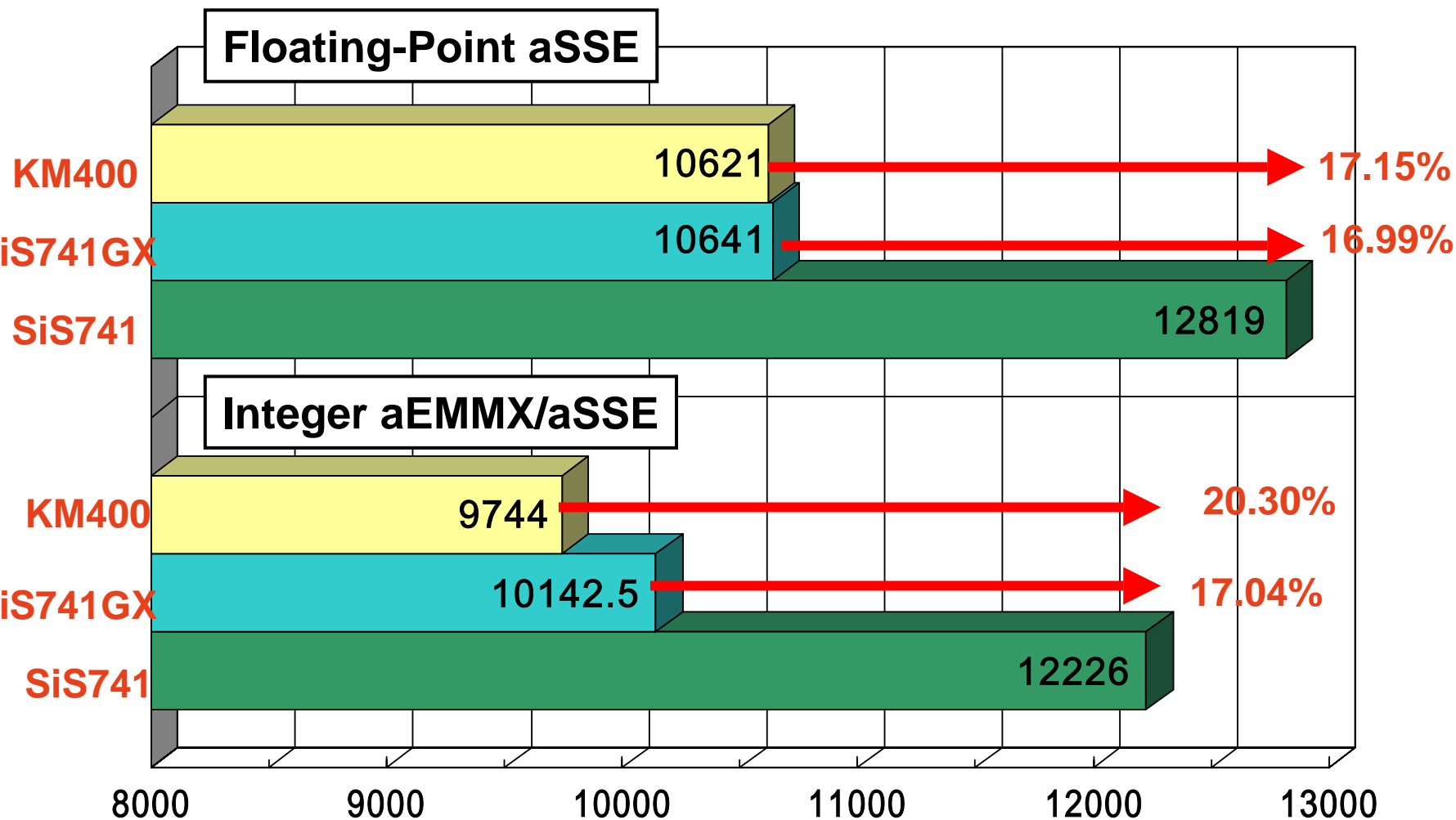


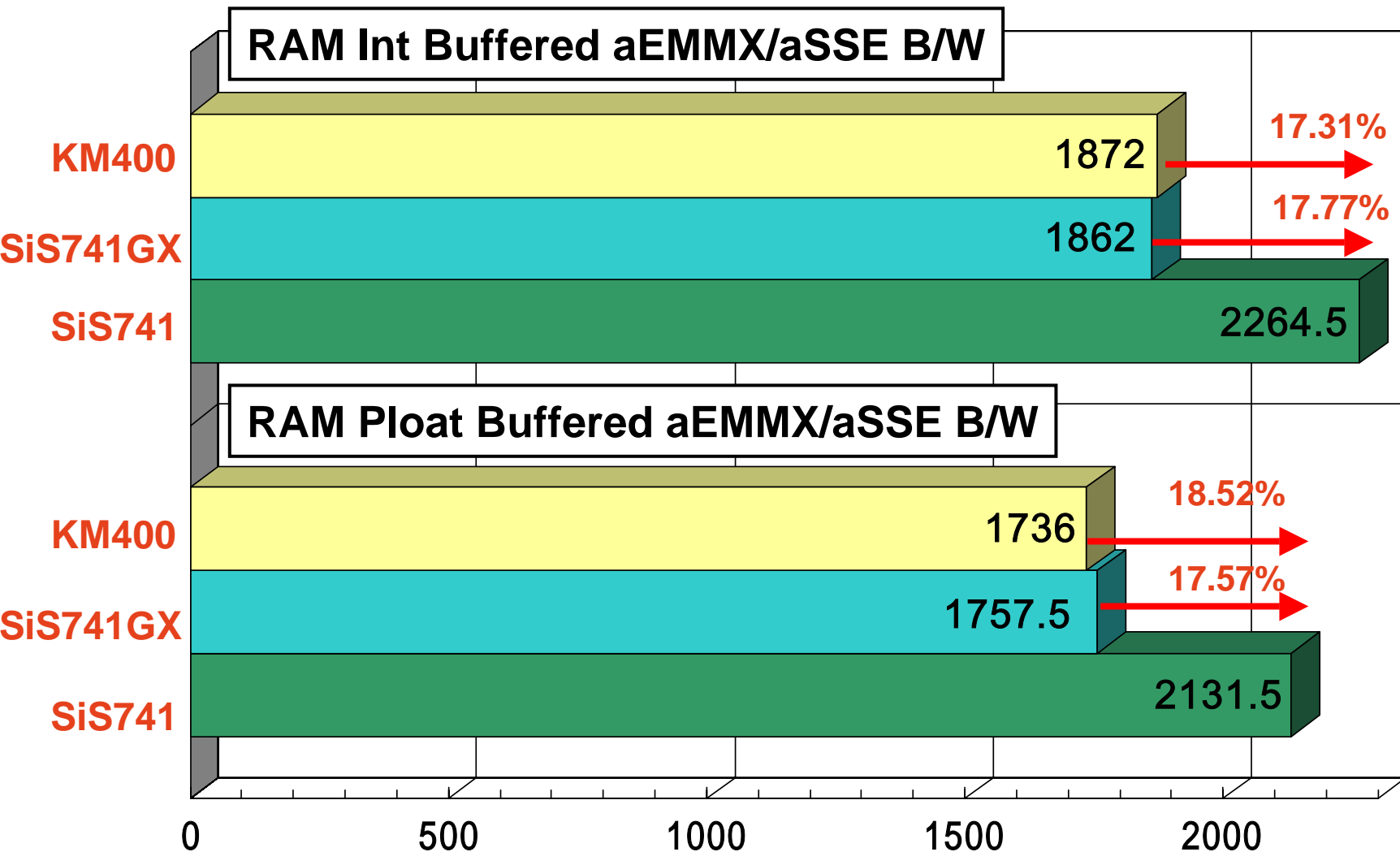
System Performance *—Specview 7.1*



System Performance -- Sandra 2003(i)







Q & A

Thank You